

Autoinjector Parts ID

Autoinjector

Table 32-1. Autoinjector Parts

Item	Description	Part Number
A	Metering Unit, see “Metering Unit”	
B	Actuator Bridge, see “Actuator Bridge”	
C	Needle Unit, see “Needle Arm Unit”	
1	Cover Plate (left) <i>Series 1</i>	01090-04124
	Cover Plate (left) <i>Series 2</i>	01090-04137
2	Black Knob	01090-23101
3	Retainer	0510-0684
4	Screw	0515-0886
5	Washer	3050-0520
6	Cover Plate (right) <i>Series 1</i>	01090-04125
	Cover Plate (right) <i>Series 2</i>	79847-04104
7	Screw	0515-1114
8	PLS Cable	79846-61601
9	Nut	0100-0771
10	Waste Tube	79846-87301
11	Waste Screw	79846-22403
12	Nut	0534-0042
13	Leak Sensor	79846-61620
14	Screw	0515-0886
15	Tube	79846-27305
16	Sealing Rope	0905-0712
17	Waste Sump	79846-44501
18	Screw	0515-1105
19	Screw	0515-1510
20	Bracket Actuator	79846-01206
21	Screw	0515-1510

Automatic Injector and Column Switching Valve

Table 32-1. Autoinjector Parts (continued)

Item	Description	Part Number
22	Valve and Actuator Assembly ¹	79846-69001
	Rotor Seal	1535-4048
	Rotor Seal (pH)	1535-4900
23	Valve Sensor Board	79846-66504
24	Cover	79846-01207
25	Screw	0515-1105
26	Restriction Capillary	79846-87608
27	Valve-T-Capillary	79846-87606
28	Flush Valve	79846-67902
29	Flush Capillary from detector ²	79846-87609
30	Flush Capillary to waste ³	79846-87610
	Union ⁴	0100-1017
31	Flush Valve Capillary ⁵	79846-87607
32	T-Union	0100-1016
33	Connector	0100-1175
34	Muffler pneumatic	0100-1176
35	Fitting Screw	0515-0836
36	Fitting	0100-1182
37	Cover Switch Assembly	79846-67903
38	Switch	3101-0617
39	Adapter Air Damper	79846-23202
40	Fitting	0100-1047
41	Green Tubing	0890-0582
42	Screw	0515-0898
43	Screw	0515-0898
44	ICO Board	79846-66501
45	Swivel Unit ⁶	79846-60005
46	Stepper Motor	3140-0675
47	Screw	0515-0898
48	Swivel Arm Sensor Board	79846-66503
49	Interrupter	79846-48103

1 Includes items 20, 21, 23.

2 Includes items 35, 36

3 Includes items 35, 36

4 For connecting items 29 and 30 to detector and waste lines.

5 Includes items 35, 36

6 Includes items 46, 48, 49.

Automatic Injector and Column Switching Valve

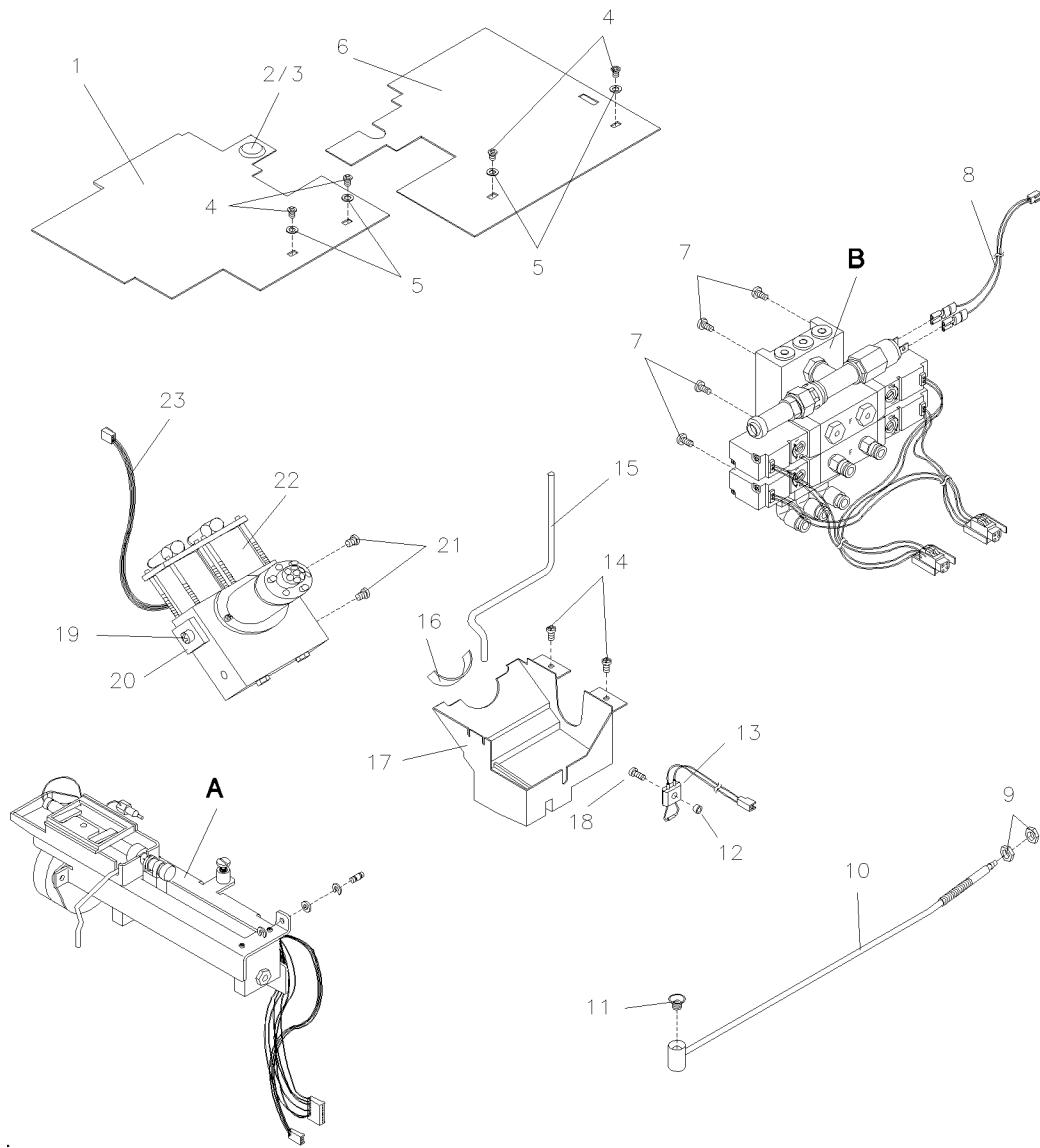


Figure 32-1. Autoinjector

Automatic Injector and Column Switching Valve

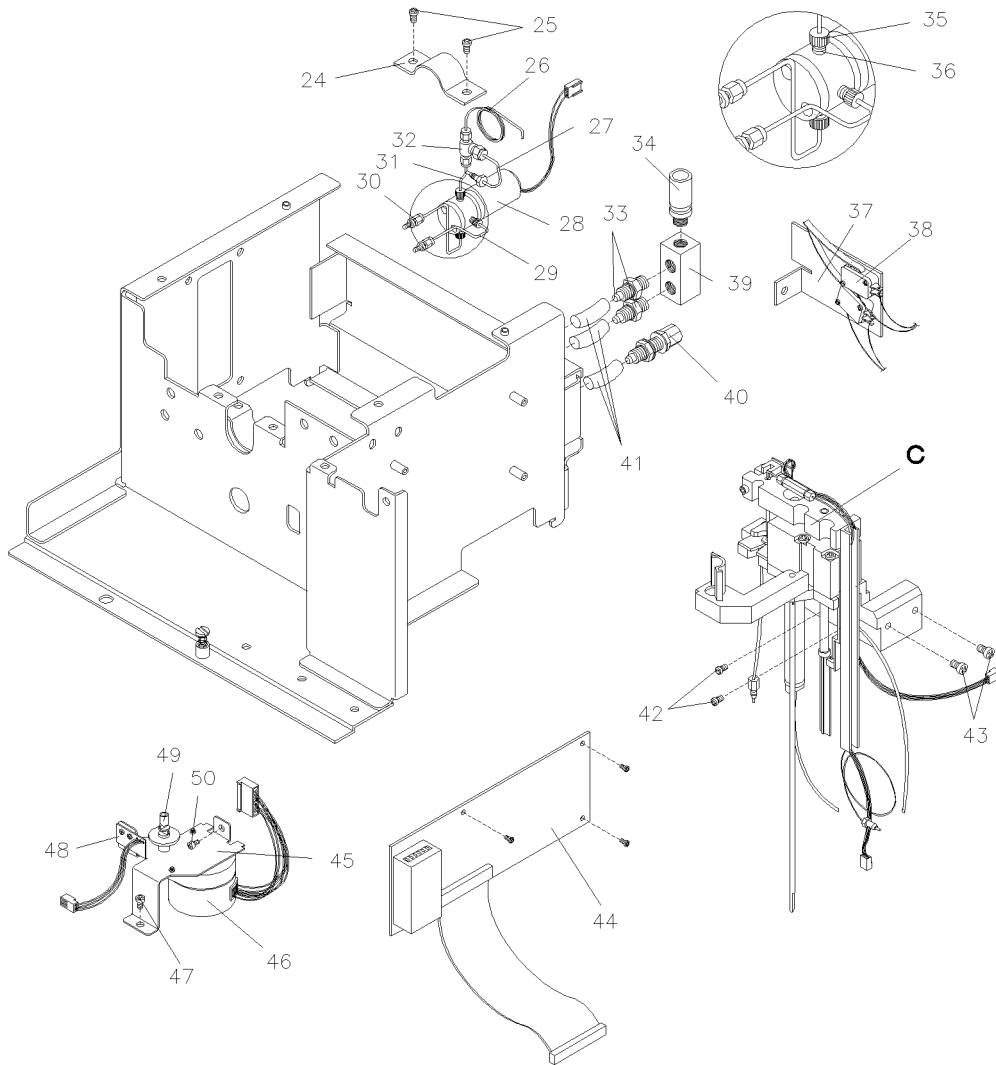


Figure 32-2. Autoinjector